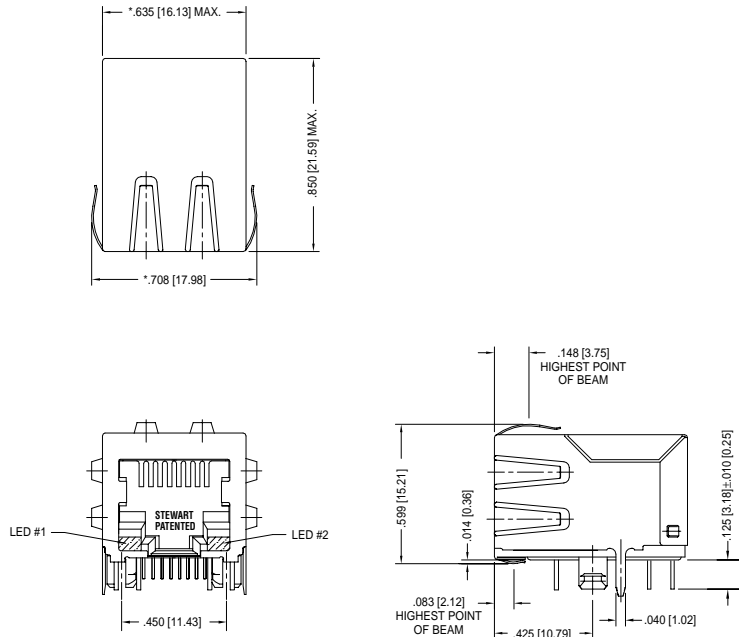
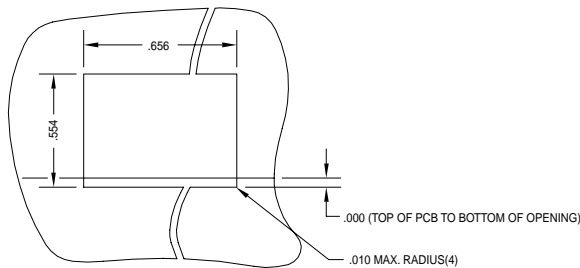


MagJack® ST SI-40000 Series

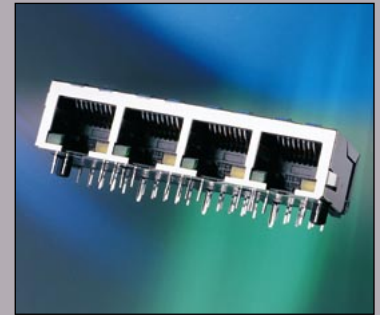
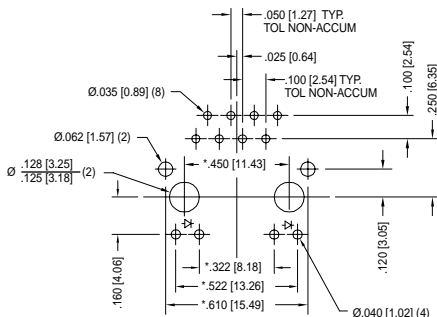
Standard Temperature
 Eight-Contact, Eight-Position
 Single and Multiport
 Shielded/Unshielded
 Integrated LEDs
 Full Magnetic Options



Recommended Panel Cutout



Recommended Board Layout



MagJack SI-40000 Series LED MagJack

Available with red, yellow, green, or bicolor LEDs, the MagJack SI-40000 connectors are the perfect solution for high performance networking equipment that requires user diagnostic information, such as hubs, switches, concentrators, bridges and routers, and point-to-point links. And with its long-term dependability, Stewart SI-40000 connectors can help give your network devices a solid edge – lowering warranty costs and increasing customer satisfaction.

- Full magnetics and choke configurations
- One, four, six port
- Single and bicolor LEDs
- Shielded and unshielded
- Identical form factor as standard jacks
- Gold-plated contacts
- Meet FCC mechanical and dimensional requirements

Typical 10/100BASE-T Circuit Drawing

